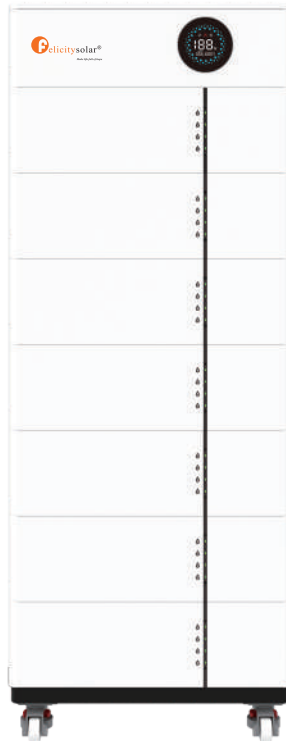


USER MANUAL



Model

FLS48100SG1

51.2V/100Ah

www.felicitysolar.com

Contents

1. Safety Introductions	1
1.1 Warning.....	1
1.1.1 Before Connecting.....	1
1.1.2 In Using.....	1
1.2 Caution.....	2
2. Transportation	3
3. Introductions	4
3.1 Symbol Definition.....	4
3.2 Brief Introduction.....	4
3.3 Features.....	5
3.4 Product Overview.....	5
3.4.1 External Packaging.....	5
3.4.2 Product Appearance Display.....	5
3.5 LCD Display Icons.....	7
3.5.1 BMS Information Page.....	7
3.5.2 Fault Code Table.....	8
3.6 LED Display Icons.....	9
3.6.1 ON/OFF or soc Led(Mode or soc)	10
3.7 Battery Management System(BMS).....	10
3.8 System Connection Diagram.....	11
4. Installation and Configuration	11
4.1 Preparations for Installation.....	11
4.1.1 Safety Requirement.....	11
4.1.2 Installation Environment.....	12
4.1.3 Tools.....	12
4.2 Unpacking Inspection.....	12
4.3 Installation Procedure.....	15
4.3.1 Mounting the Battery.....	15
4.3.2 Batteries in parallel.....	19
4.3.3 Series connection is not allowed.....	20
5. Operation	20
5.1 PCS Port Pin Definition.....	20
5.2 Parallel DIP Switch.....	21
5.2.1 DIP Code Table.....	21
5.2.2 DIP Switch Setting Example.....	21
5.3 Switch On/Off.....	22

6. Maintenance and Troubleshooting	23
6.1 Storage.....	23
6.2 Maintenance Troubleshooting.....	24
6.2.1 Analysis and Treatment of Common Faults.....	24
7. Battery recovery	25
7.1 Recovery process and steps of cathode materials.....	25
7.2 Recovery of anode materials.....	25
7.3 Recovery of diaphragm.....	25
7.4 List of recycling equipment.....	25
Appendix I	26

Revision History

Revision NO.	Revision Date	Revision Reason
1.0	2025.3	First Published

About This Manual

The manual mainly describes the introduction, installation, operation, and maintenance. Please read this manual carefully before installation and operation. Keep this manual for future reference.

How to Use This Manual

Please read this manual and all relevant documents thoroughly before carrying out any operations on the battery. Ensure that the documents are stored securely and remain accessible at all times. The content may be periodically revised or updated to reflect product improvements.

1. Safety Introductions



1.1 Warning

1.1.1 Before Connecting

- After unpacking, inspect the product and packing list carefully. If any damage is found or parts are missing, please reach out to your local retailer for assistance.
- Before starting the installation, disconnect the grid power and confirm that the battery is turned off.
- Ensure proper wiring by connecting the positive and negative cables correctly and avoiding any short circuits with external devices.
- Directly connecting the battery to AC power is strictly prohibited.
- The battery system must be properly grounded, with a grounding resistance of less than 1Ω .
- Verify that the electrical parameters of the battery system are fully compatible with the connected equipment.

1.1.2 In Using

- If the battery system needs to be moved or serviced, ensure that the power is disconnected and the battery is fully powered down.
- Connecting the battery with a different type of battery is strictly prohibited.
- Do not operate the batteries with a faulty or incompatible inverter.
- Disassembling the battery is not allowed.
- In the event of a fire, only dry powder fire extinguishers should be used; liquid fire extinguishers must not be used.
- Please refrain from opening, repairing, or disassembling the battery unless performed by Felicitysolar staff or personnel authorized by Felicitysolar. Any consequences or responsibilities arising from improper operation or violations of design, manufacturing, or equipment safety standards will not be assumed by us.
- Keep the battery away from water and fire.



1.2 Caution

- Our products undergo rigorous inspection before shipment. If you notice any unusual signs, such as the device casing bulging, please contact us promptly.
- The product must be properly grounded prior to use to ensure safety.
- To ensure correct usage, verify that the parameters of the connected devices are compatible and matched. Avoid mixing batteries from different manufacturers, types, or models, as well as using old and new batteries together.
- The ambient environment and storage methods can affect the product's lifespan. Please adhere to the operating environment guidelines to ensure the device functions optimally.
- For long-term storage, recharge the battery every six months, ensuring the charge exceeds 80% of its rated capacity.
- Recharge the battery within 18 hours after it has fully discharged or when over-discharge protection mode is triggered.
- The formula for calculating theoretical standby time is: $T = C/I$ (where T represents standby time, C is the battery capacity, and I is the total current of all loads).

2. Transportation

The battery module can only be transported in an upright position.



- Smoking is prohibited in the vehicle during transportation or in the vicinity during loading and unloading



- The dangerous goods transport vehicles shall meet relevant regulations concerning roadtransportation and shall be equipped with two tested CO2 fire extinguishers.



- If possible, do not remove the transport packaging before arrival at the installation site. Before removing the transport protector, check if the transport packaging is damaged.



- Improper transport of battery modules may cause injury. It could cause injury if it falls or slips. Use only suitable transport and lifting equipment to ensure safe transport.



- Wear safety shoes to avoid the danger of injury. When transporting the battery module, their parts may be crushed due to their heavy weight. Therefore, all persons involved in transportation must wear safety shoes with toe caps. Please observe the safety regulations for transportation at the end customer's site, especially during loading and unloading.



- During transportation and installation of unpacked battery storage cabinets, the risk of injury increases, especially on sharp metal panels. Therefore, all personnel involved in transportation and installation must wear protective gloves.



- Improper vehicle transportation can cause injury. Improper transportation or improper transportation locks may cause the load to slip or overturn, resulting in injury.



- The transportation of Li-Ion batteries is classified under hazard category UN3480, Class 9. For transport via sea, air, or land, the batteries are categorized under Packaging Group PI965 Section I. Use Class 9 Miscellaneous Dangerous Goods and UN Identification labels for transportation of lithium-ion batteries which are assigned Class 9. Please refer to the relevant transportation documentation for details.

3. Introductions

3.1 Symbol Definition

	Danger! Serious physical injury or even death may occur if not follow the relative requirements.		Install the product out of reach of children
	Caution, risk of electric shock.		Do not place nor install near flammable or explosive materials
	In case of electrolyte leakage, keep leaked electrolyte away from eyes or skin.		Disconnect the equipment before carrying out maintenance or repair
	Do not connect the Pack's positive(+) and negative(-)terminal reversely.		Societe Generale de Surveillance S.A.
	Observe precautions for handling electrostatic discharge sensitive devices.		Instruction manual: Read the instruction manual before starting installation and operation.
	Caution, risk of electric shock, energy storage timed discharge		CE mark: The inverter complies with the CE directive.
	Recyclable.	NOTE	Note:The procedures taken for ensuring proper operation.
	Do not use the Pack beyond specified conditions		Earth terminal: The inverter must be reliably grounded.
	Take care! This Pack is heavy enough to cause serious injury.		EU WEEE mark: Product should not be disposed as household waste.

3.2 Brief Introduction

FLS48100SG1 is equipped with a lithium iron phosphate battery designed for household use. Developed based on customer needs and market demands, this advanced battery storage solution provides high-quality, reliable power for various devices. The product features a long lifespan, suitability for high-temperature environments, and a compact design that requires minimal installation space.

FLS48100SG1 features a battery management system independently developed by our team. When connected to a grid or photovoltaic system as the power source, the product can store energy by charging the battery. In the event of a power outage from the grid or photovoltaic system, the product independently supplies electricity to household loads. Additionally, multiple units can be connected in parallel to form a high-capacity, multi-module system, meeting long-term energy storage requirements.

3.3 Features

- LiFePO4: Higher safe performance and longer cycle life.
- Multiple Protection: Built-in smart BMS, Breaker and Fuse.
- Flexible Installation: Wall-Mounted or Floor-Mounted.
- Wide Compatibility: Compatible with leading inverter brands.
- High Scalability: Capacity up to 40.96kWh.
- Equipped with an aerosol fire extinguishing system.
- When the battery experiences overcurrent causing the fuse to blow, it can be easily replaced externally, providing great convenience.

3.4 Product Overview

3.4.1 External Packaging

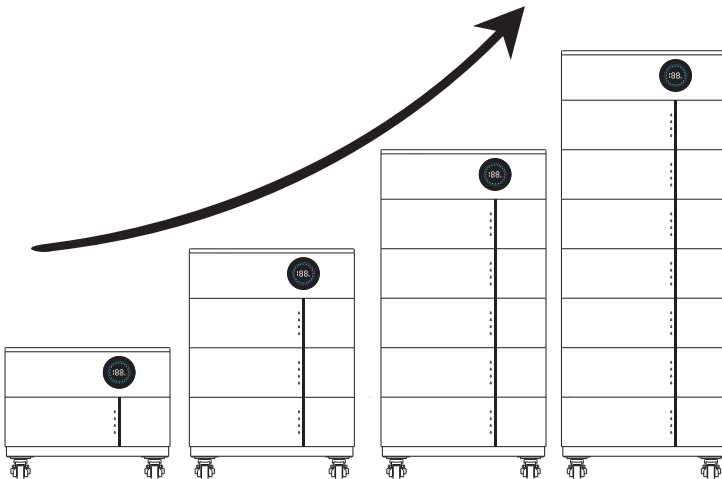


FLS48100SCG1

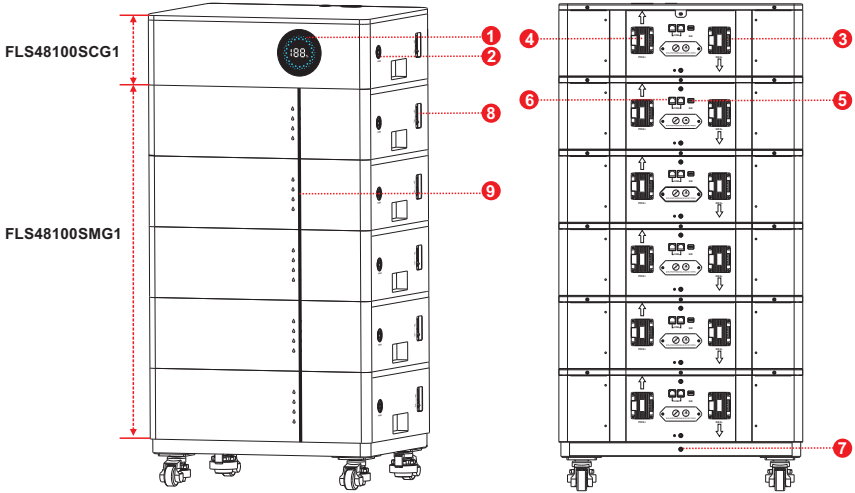


FLS48100SMG1

3.4.2 Product Appearance Display



Up to 8 PCS battery packs can be connected in parallel



Code	Name	Definition
1	LCD Display	Indicate the battery's SOC
2	Power/Running Status	1. Indicate the power on/off function: press once to turn on, press and hold for 3 seconds to turn off; 2. ● A green light indicates normal status, ● while a red light indicates fault status.
3	NEG-	The DC output negative pole of the battery, connected to the inverter's negative pole via a cable.
4	POS+	The DC output positive pole of the battery, connected to the inverter's positive pole via a cable.
5	Switch	Set each battery's ID through DIP switches
6	COM	When the system is used in parallel: This CAN/RS485 communication socket is connected to the COM interface through communication cable.
7	PE	Shell ground connection
8	ON/OFF Switch	Circuit protection for overvoltage
9	LED Display	Indicate the battery's SOC

* FLS48100SCG1 and FLS48100SMG1 both of battery packs contain batteries inside

3.5 LCD Display Icons








Icon	Function Description
Display Information	
	Indicates the voltage, current, temperature, SOC of the module. (Short press the button to display the information of each parallel module.)
	Indicates SOC
	Indicates battery level, each LED represents 5% (When charging, this icon flashes; when discharging, the icon displays constant)
	Indicates settings.
	Indicates a fault.
	Indicates communication signs.

3.5.1 BMS Information Page

The basic information will be displayed in turn after power on.

<p>BMS Power on Information BMS information is all on.</p>	<p>BMS Version Eg: "516" is the software version, "500" is the IAP version and temporary version.</p>
--	---

<p>BMS Type Eg: Rated voltage is "48V", model is "100AH".</p> 	<p>BMS Data This interface indicates that it is in SOC calibration.</p> 
<p>BMS Data Eg: "70%" refer to battery SOC, "C" indicates that the battery is charging, and if it is discharging, "d" is displayed. "2" indicates that the data currently displayed is for module 2, "65%" represents the SOC of module 2. Short press the button to display the information of each parallel module</p> 	<p>BMS Data Eg: "70%" refer to battery SOC, "52.0V" refer to battery voltage, "35A" refer to battery current. Short press the button to display the information of each parallel module</p> 
<p>BMS Fault Code/Flag Eg: "52.0V" / "C09" / "70%" are battery voltage, fault code and SOC respectively, and Fault icon constant</p> 	

3.5.2 Fault Code Table






Code	Fault Information	Trouble Shooting
C01	Battery overvoltage	Restart the unit, If the error happens again, please return to repair center.
C02	Battery undervoltage	Restart the unit, If the error happens again, please return to repair center.
C03	Cell overvoltage	Restart the unit, If the error happens again, please return to repair center.
C04	Cell undervoltage	Restart the unit, If the error happens again, please return to repair center.

C05	Charge overcurrent	Restart the unit, If the error happens again, please return to repair center.
C06	Discharge overcurrent	Restart the unit, If the error happens again, please return to repair center.
C07	MOS overtemperature	1. The inner temperature is over the limitation. 2. Check whether the ambient temperature is too high.
C08	MOS undertemperature	1. The internal temperature is lower than the limit range. 2. Check whether the ambient temperature is too low.
C09	Cell overtemperature	Restart the unit, If the error happens again, please return to repair center.
C10	Cell undertemperature	Restart the unit, If the error happens again, please return to repair center.
C11	Abnormal current sampling	Restart the unit, If the error happens again, please return to repair center.
C12	Abnormal output impedance	Restart the unit, If the error happens again, please return to repair center.
C13	Parallel failed	1. Please check if single unit is installed to parallel system. 2. If this error happens during parallel installation, please check wires connection. If they are connected correctly, please finish parallel installation first, and then restart the unit. 3. If the problem remains, please contact your installer.
C14	Output loss	1. Please check whether the circuit breaker is closed; 2. Please check whether the fuse is normal; 3. Restart the unit, If the error happens again, please return to repair center.

3.6 LED Display Icons

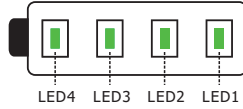
There are four LED indicators on the front of the battery packs to show its operating status.

SOC LED indication:

				
100%	75%	50%	25%	Flashing SOC < 10%

Note: The battery need to be fully charged for at least once in one month to ensure the accurate SOC calculation.

3.6.1 ON/OFF or SOC Led(Mode or SOC)



LED Definition	ON/OFF		LED Status				Fault Info
	Green LED	Red LED	LED1	LED2	LED3	LED4	
Power OFF	OFF	OFF	OFF	OFF	OFF	OFF	
Power ON	OFF	ON	ON	ON	ON	ON	
Stand By	OFF	OFF	SOC				SOC<10%(Default):LED1 Flash
Normal	ON	OFF	Running/SOC				SOC<10%(Default):LED1 Flash
Discharge	ON	OFF	SOC				SOC<10%(Default):LED1 Flash
Charge	Flash	OFF	Running				
Low Power	Flash	OFF	OFF				
Fault	OFF	ON	ON	OFF	OFF	OFF	Battery Voltage High
			OFF	ON	OFF	OFF	Battery Voltage Low
			ON	ON	OFF	OFF	Cell Voltage High
			OFF	OFF	ON	OFF	Cell Voltage Low
			ON	OFF	ON	OFF	Charging Current High
			OFF	ON	ON	OFF	Discharging Current High
			ON	ON	ON	OFF	BMS Temperature High
			OFF	OFF	OFF	ON	BMS Temperature Low
			ON	OFF	OFF	ON	Cell Temperature High
			OFF	ON	OFF	ON	Cell Temperature Low
			ON	ON	OFF	ON	Current Sensor Abnormal
			OFF	OFF	ON	ON	Abnormal output impedance
			ON	OFF	ON	ON	Parallel failed
OFF	ON	ON	ON	Output loss			

3.7 Battery Management System(BMS)

Voltage Protection

Low Voltage Protection in Charging:

When the voltage of any battery cell or the total voltage falls below the rated protection value during discharging, over-discharging protection is activated, and the battery system stops supplying power externally. Once the voltage of each cell returns to the rated range, the protection is released.

Over Voltage Protection in Charging:

During charging stage, the system will stop charging when the total voltage of the battery pack is higher than rated value or the voltage of any single cell reaches the protection value. When total voltage or all cell back to rated range, the protection is over.

Current Protection

Over Current Protection in Charging:

When the charging current reaches the trigger value and lasts for 15 seconds, charging overcurrent protection is activated, entering fault mode. The battery disables both charging input and discharging output, and displays fault code C05 on the screen. The fault is automatically cleared after 1 minute. After 10 occurrences, the fault can no longer clear automatically, requiring a manual battery restart.

Over Current Protection in Discharging:

When the discharging current reaches the trigger value and lasts for 15 seconds, discharging overcurrent protection is activated, entering fault mode. The battery disables both charging input and discharging output, and displays fault code C06 on the screen. The fault is automatically cleared after 1 minute. After 10 occurrences, the fault can no longer clear automatically, requiring a manual battery restart.

3.8 System Connection Diagram

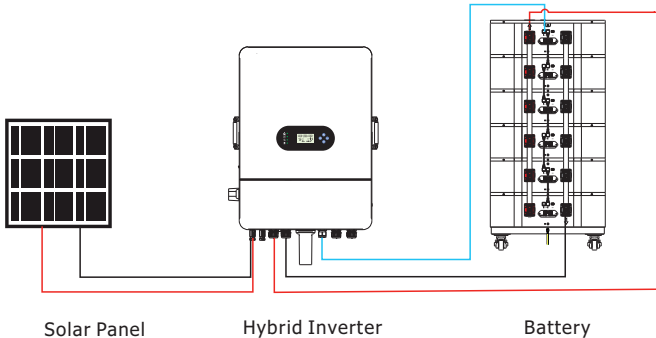


Figure 3-1 Single Battery System Connection Diagram

4. Installation and Configuration

4.1 Preparations for Installation

4.1.1 Safety Requirement

This system must only be installed by personnel trained in power supply systems and possessing adequate knowledge of such systems.

The safety guidelines outlined below, along with applicable local safety standards, must be strictly adhered to during installation.

- All circuits interfacing with this power system and carrying external voltages below 48V must comply with SELV requirements as specified in the IEC60950 standard.
- If working within the power system cabinet, ensure the system is completely powered down, and all battery devices are switched off.
- The distribution cables should be arranged systematically and equipped with protective measures to prevent accidental contact while operating power equipment.

4.1.2 Installation Environment

- Working temperature: $-20^{\circ}\text{C}\sim+55^{\circ}\text{C}$
- Charging temperature range: $0^{\circ}\text{C}\sim+55^{\circ}\text{C}$
- Discharging temperature range: $-20^{\circ}\text{C}\sim+55^{\circ}\text{C}$
- Storage temperature: $0^{\circ}\text{C}\sim+35^{\circ}\text{C}$
- Relative humidity: 5% ~ 95%
- Elevation: $\leq 2000\text{m}$

Operating environment: Suitable for indoor installation at locations shielded from direct sunlight, wind, conductive dust, and corrosive gases.

Ensure the following conditions are met:

- The installation site should be distant from the sea to prevent exposure to saltwater and high humidity.
- The ground at the installation location must be flat and level.
- The site should be free of flammable or explosive materials.
- Optimal ambient temperature: 20°C to 30°C .
- Avoid areas with excessive dust or clutter.

4.1.3 Tools



Screw Driver



Crimping Modular



Safety Shoes



Multimeter



Safety Gloves



Safety Goggles



Plier














Ribbon








Electric drill








4.2 Unpacking Inspection



- Upon arrival at the installation site, loading and unloading should strictly follow the established rules and procedures to prevent exposure to sunlight and rain.
- Before unpacking, verify the total number of packages against the shipping list attached to each package, and inspect the outer cases for any signs of damage. After unpacking, carefully check for loose or damaged wiring and contacts, cracks, deformations, leaks, or any other form of damage. If any damage is detected, the battery must be replaced immediately. Do not attempt to charge or use a damaged battery, and avoid contact with any liquid from a ruptured battery.
- During unpacking, handle all components with care to protect the surface coating from damage.

FLS48100SCG1			
No.	Description	Quantity	Picture
1	User manual	1	
2	Quick installation guide	1	
3	Warranty card	1	
4	The base is used for product placement and plays a supporting role	1	
5	Power Cable 1: 0.9 meters, 35mm ² , allows for charging and discharging up to 150A, used for connecting to external PCS+ (red)	2	
	Power Cable 2: 2.3 meters, 35mm ² , allows for charging and discharging up to 150A, used for connecting to external PCS- (black)		
6	Communication Cable 1: Gray, used for RS485 communication with Felicity inverters	1	
7	Communication cable 2: Blue 1. used for CAN communication with inverters from other brands 2. used for CAN communication with Felicity inverters	1	
8	Communication Cable 3: Yellow, without an RJ45 connector. Universal communication cable with one end as RJ45 and the other end leading to eight cores	1	
9	Hole Marking Cardboard: Used to mark drilling positions during product installation. For detailed installation instructions, please refer to the installation steps below	1	
10	Hex Wrench: Used as a tool for stacking and securing products. For detailed installation instructions, please refer to the installation steps below	1	
11	OT Terminal: Screw hole diameter 10.5mm, wire crimp hole diameter 17mm, used with 150mm ² power cables	4	

12	Plastic Expansion Screw: Used together for product fixation	4	
13	Signal Terminal: Used for creating custom communication cables	2	
14	Fixed trestle: Used for fixing products	4	
15	Screws M5X12*8 PCS Screws M6X16*16 PCS Screws M5X25*2 PCS	/	
16	Casters: Used for product support and short-distance transportation.	4	

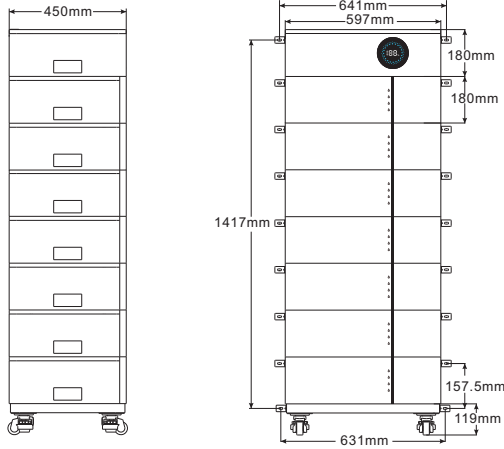
FLS48100SMG1

No.	Description	Quantity	Picture
1	User manual	1	
2	Quick installation guide	1	
3	Warranty card	1	
4	Ground Wire: used for grounding connections between stackable battery packs.	1	
5	Plastic expansion screws are used to secure products and walls	2	
6	Screws M5X12*4PCS Screws M5X25*2PCS	/	
7	Parallel Soft Copper Busbar: allows for charging and discharging up to 450A, used for parallel connections between stackable battery packs.	2	

8	Communication Cable 4:Black,used for parallel communication between battery packs	1	
9	Fixed trestle:Used for fixing products	2	

4.3 Installation Procedure

(a) Product Size

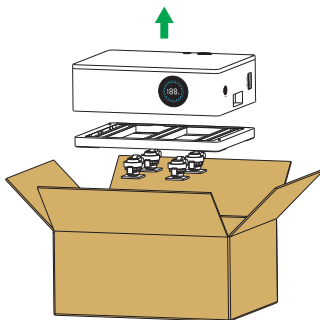


4.3.1 Mounting the Battery

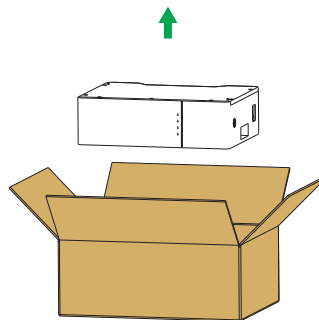
(b) Wall-Mounted method

Step 1: Open the packaging Carton box and remove the accessories(FLS48100SCG1 battery pack, base, wheel*4PCS);

Step 2:Open the packaging Carton box and remove the accessories (FLS48100SMG1 battery pack).

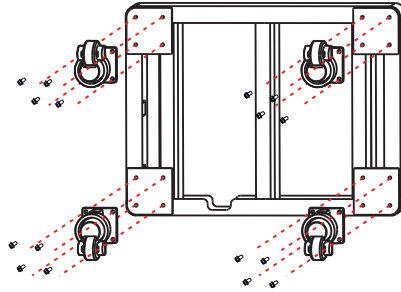


FLS48100SCG1



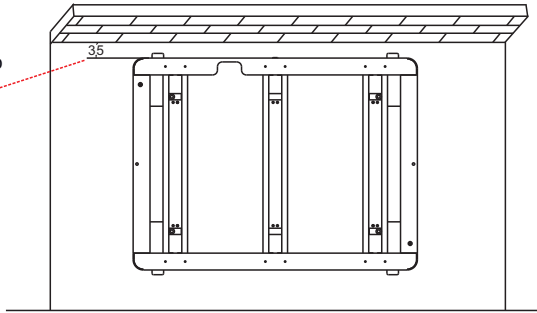
FLS48100SMG1

Step 3: Fix the 4 casters to the base using M6X16 screws.

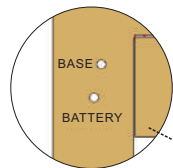
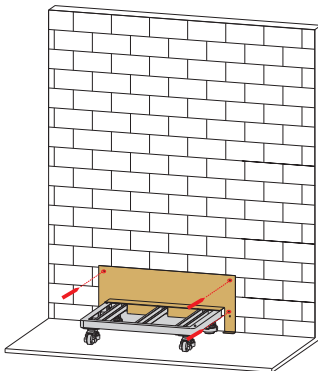


Step 4: Place the base, ensuring it is 35mm away from the wall.

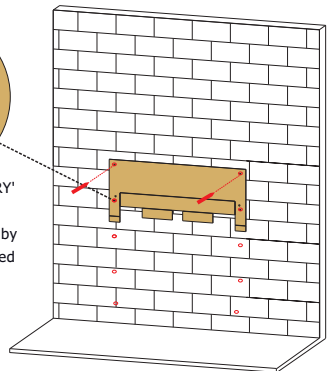
The base has a gap
and the end is
against the wall.



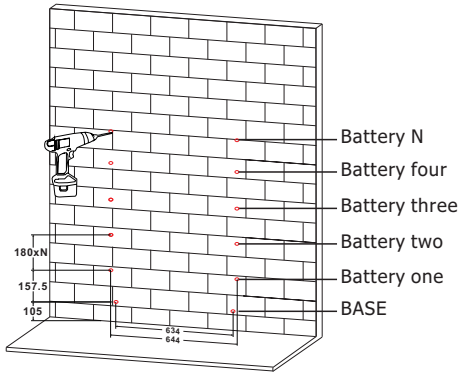
Step 5: Use the wall-mounted positioning cardboard and mark the holes layer by layer.



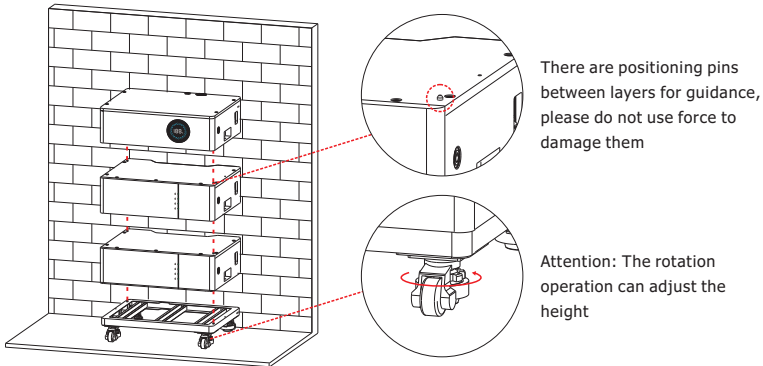
Mark the upper 'BATTERY'
based on the 'BATTERY'
below and mark it layer
by layer (do not locate based
on 'BASE')



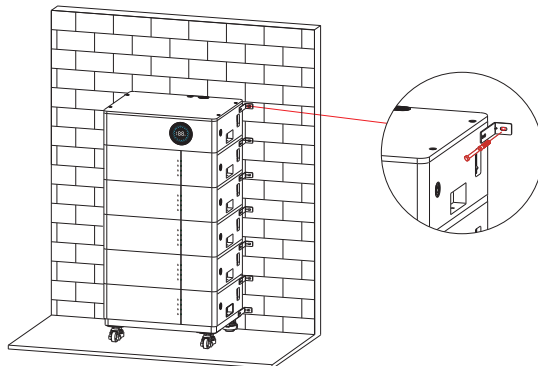
Step 6: Drill holes according to the position marked on the installation hole position cardboard (note: the hole diameter is 10mm, and the drilling depth is 60mm)



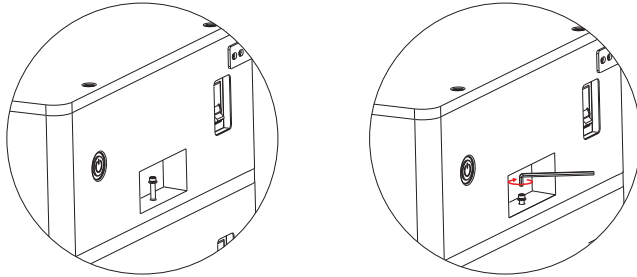
Step 7: Stack and place the products, with a base on the bottom layer, LED lights on the middle layer, and an LCD display screen on the top layer



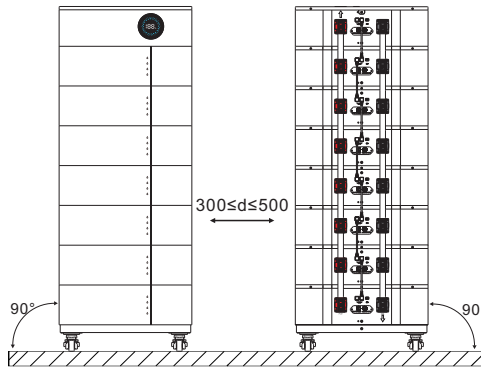
Step 8: Use sheet metal lock wall components to fix the product on the wall



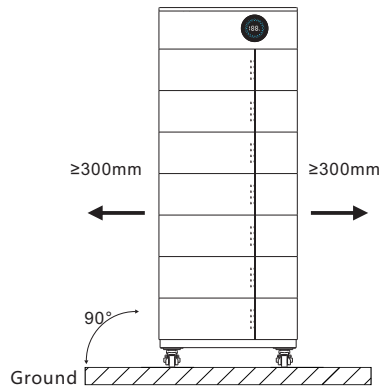
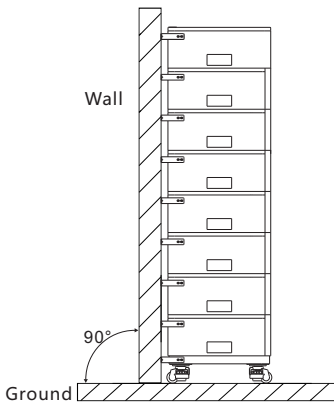
The battery packaging layer is fixed between the layers using hexagonal screws (at the handle)



(c) Floor-Mounted method

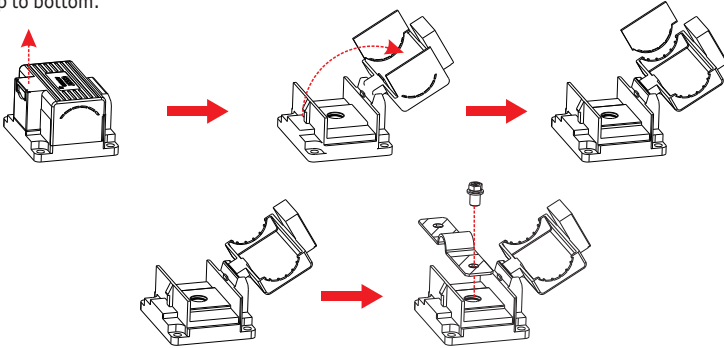


Ground(Two rows installtion)



4.3.2 Batteries in parallel

Please open the lid latch upwards, rotate the lid and tear off the lid cover. Use screws to connect the copper bar, with the positive pole connected from bottom to top and the negative pole connected from top to bottom.



The FLS48100SG1 series battery support to be connected in parallel for expansion. If you need one more battery bank work in parallel mode, connect the battery as shown in figure4-3-1.

Note:The upper and lower battery packs are connected in parallel.

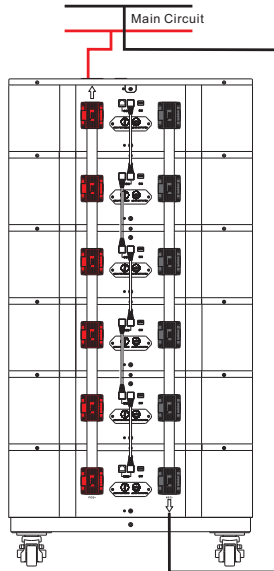


Figure 4-3-1 Multiple Battery Parallel System Connection Diagram

The diagram of six battery strings in parallel is shown in the figure above. In order to maintain the current balance of the battery pack, please ensure that the negative electrode of the battery comes out from the bottom.

4.3.3 Series connection is not allowed

1. The batteries can be connected in parallel. Series connection is not allowed. Use in upright position only.

2. The batteries are not allowed to be connected with PWM controller for charging. Special


Attention: Due to the built-in protection board of the lithium battery pack with over-discharge protection function, it is strongly recommended to stop using the load when the battery pack is over-discharged. The battery pack cannot be repeatedly activated for discharge. Or the battery may be failed to be activated by the AC or PV activation cable (it requires a special charging activation method), so cannot be charged. Therefore, when the battery pack is low power, please charge the battery as soon as possible when main power or solar energy is available.

5. Operation


5.1 Description for Communication port

BATTERY-FelicitySolar

INVERTER

Picture	Pin	Color	Definition
	1	ORG-WH	CAN-GND
	2	ORG	+5V-BUS
	3	GN-WH	CANL-PCS
	4	BU	CANH-PCS
	5	BU-WH	RS485-B
	6	GN	RS485-A
	7	BN-WH	CANL
	8	BN	CANH



Pin	Color	Definition	Picture
1	ORG-WH	/	
2	ORG	/	
3	GN-WH	/	
4	BU	/	
5	BU-WH	RS485-B	
6	GN	RS485-A	
7	BN-WH	/	
8	BN	/	

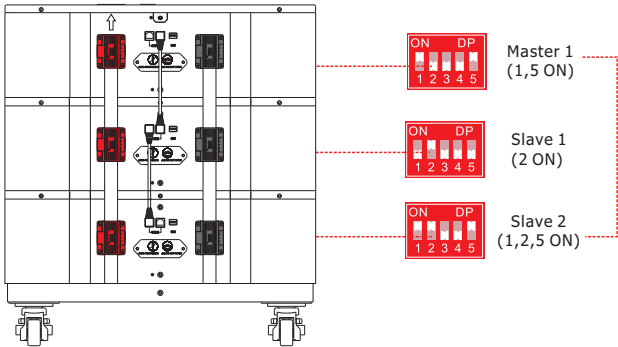
5.2 Parallel DIP Switch

5.2.1 DIP Code Table

No. of BAT	1	2	3	4	5	6	7	8
1PCS	1,5 ON							
2PCS	1,5 ON	2,5 ON						
3PCS	1,5 ON	2 ON	1,2,5 ON					
4PCS	1,5 ON	2 ON	1,2 ON	3,5 ON				
5PCS	1,5 ON	2 ON	1,2 ON	3 ON	1,3,5 ON			
6PCS	1,5 ON	2 ON	1,2 ON	3 ON	1,3 ON	2,3,5 ON		
7PCS	1,5 ON	2 ON	1,2 ON	3 ON	1,3 ON	2,3 ON	1,2,3,5 ON	
8PCS	1,5 ON	2 ON	1,2 ON	3 ON	1,3 ON	2,3 ON	1,2,3 ON	4,5 ON



5.2.2 DIP Switch Setting Example



Example of three batteries in parallel

5.3 Switch On/Off

Power on steps:

Step 1: Turn on the inverter **1**;

Step 2: Turn on the battery breaker **2 3** ("OFF" to the "ON");

Step 3: Press the battery switch button **4**.

The button on any battery pack can control other battery packs, enabling them to start up or shut down simultaneously.



Power down steps:

Step 1: Turn off the inverter **1**;

Step 2: Press and hold the battery switch button for 3 seconds **4** ;

Step 3: Disconnect the breaker of the battery **2 3** ("ON" to "OFF").

The button on any battery pack can control other battery packs, enabling them to start up or shut down simultaneously.



6. Maintenance and Troubleshooting

6.1 Storage

- Do not expose battery to open flame.
- Do not place the product under direct sunlight.
- Do not place the product near flammable materials. It may lead to fire or explosion in case of accident.
- Store in a cool and dry place with ample ventilation.
- Store the product on a flat surface.
- Store the product out of reach of children and animals.
- Do not damage the unit by dropping, deforming, impacting, cutting or penetrating with a sharp object.
- It may cause leakage of electrolyte or fire.
- Do not touch any liquid spilled from the product. There is a risk of electric shock or damage to skin.
- Always handle the battery wearing the insulated gloves.
- Do not step on the product or place any foreign objects on it. This can result in damage
- Do not charge or discharge damaged battery.

6.2 Maintenance Troubleshooting

6.2.1 Analysis and Treatment of Common Faults

Item	Fault phenomenon	Reason analysis	Solution
1	Unable to communicate with the inverter	The wrong communication cable was used, or the battery DIP switch settings are incorrect.	Before connecting the battery to the inverter, set the battery DIP switches correctly according to the DIP switch table. After setting the DIP switches, restart the battery to activate the DIP, then use the correct communication cable to connect the battery and the inverter.
2	Battery does not fully charge	The charging voltage set on the inverter is too low	Set the charging voltage on the inverter according to the recommended value in the battery manual
3	Inaccurate SOC display	The battery's SOC has not been calibrated	The SOC will automatically calibrate after one full charge cycle. First, discharge the battery to 0%, then charge it to 100%.
4	High current charging & discharging causes output cutoff	The charging & discharging current set on the inverter is too high	Set the charging & discharging current on the inverter according to the recommended values in the battery manual
5	Battery output is interrupted due to high current during charging and discharging	The charging and discharging current settings on the inverter are too high	Set the charging and discharging current on the inverter according to the recommendations in the battery manual
6	When multiple batteries are connected in parallel, battery data on the inverter is missing or incorrect.	The parallel connection of the batteries is not set up correctly	1. Check the communication cables between the batteries 2. Check whether the battery DIP switches are set in the correct sequence
7	The battery indicates it is charging, but the SOC does not change.	The ambient temperature is too low, preventing the battery from charging.	Charge the battery in an indoor environment that meets the operating temperature range specified in the manual

7. Battery recovery

Aluminum, copper, lithium, iron, and other metal materials are extracted from discarded LiFePO₄ batteries using an advanced hydrometallurgical process, achieving a comprehensive recovery efficiency of up to 80%. The detailed process steps are outlined as follows.

7.1 Recovery process and steps of cathode materials

The aluminum foil used as collector is an amphoteric metal. Initially, it is dissolved in a NaOH alkaline solution, allowing aluminum to enter the solution as NaAlO₂. After filtration, the filtrate is neutralized with a sulfuric acid solution, resulting in the precipitation of Al(OH)₃. When the pH exceeds 9.0, the majority of the aluminum precipitates, and the resulting Al(OH)₃ can achieve chemical-grade purity upon analysis.

The filter residue is treated with sulfuric acid and hydrogen peroxide, allowing lithium iron phosphate to dissolve into the solution as Fe₂(SO₄)₃ and Li₂SO₄, while separating it from carbon black and the carbon coating on lithium iron phosphate. After filtration, the pH of the filtrate is adjusted using NaOH and ammonia solution. Iron is first precipitated as Fe(OH)₃, followed by the precipitation of the remaining solution using a saturated Na₂CO₃ solution at 90°C.

7.2 Recovery of anode materials

The recovery process for anode materials is relatively straightforward. After separating the anode plates, the copper purity exceeds 99%, making it suitable for further refining into electrolytic copper.

7.3 Recovery of diaphragm

The diaphragm material is primarily non-hazardous and holds no recycling value.

7.4 List of recycling equipment

Automatic dismantling machine, pulverizes, wet gold pool, etc.

Appendix I

Model	FLS48100SG1							
Battery Type	LiFePO4							
Module Nominal Energy	5.12kWh							
Module Nominal Capacity	100Ah							
Module Nominal Voltage	51.2V							
Number of Battery Modules	1	2	3	4	5	6	7	8
System Nominal Energy	5.12kWh	10.24kWh	15.36kWh	20.48kWh	25.6kWh	30.72kWh	35.84kWh	40.96kWh
System Nominal Voltage	51.2V							
System Operating Voltage	44.8~57.6V							
Recommend Charge/Discharge Current	50A	100A	150A	200A	250A	300A	350A	400A
Max.continuous charge/Discharge current[1]	60A	120A	180A	240A	300A	360A	400A	400A
Peak Charge/Discharge Current(15s)	100A	200A	300A	400A	500A	600A	700A	800A
Scalability	Max.8 pcs in Parallel(40.96kWh)							
Depth of Discharge(DOD)	≥ 95%							
Display type	Control Module:LCD/Battery Module:LED*4							
Protection Level	IP21							
Working Temperature Range	Charge: 0°C~+55°C							
	Discharge:-20°C~+55 °C							
Storage Temperature Range	0°C~+35°C							
Humidity	5%~95%							
Altitude	≤ 2000m							
Communication	RS485 / CAN							
Cycle Life[2]	≥ 6000 Cycles							
Installation	Wall-Mounted / Floor-Mounted							
Protection	Built-in smart BMS, Breaker, Fuse							
Warranty Period[3]	10 Years							
Control Module FLS48100SCG1	Product Weight Approximate	46kg						
	Package Weight Approximate(with base)	60kg						
	Product Dimension	600x450x180mm						
	Package Dimension (with base)	712x562x333mm						
Battery Module FLS48100SMG1	Product Weight Approximate	46kg						
	Package Weight Approximate	50kg						
	Product Dimension	600x450x180mm						
	Package Dimension	712x562x298mm						
[1] Max.continuous charge/Discharge current is affected by temperature and SOC.								
[2] Test conditions: 0.2C Charging/Discharging @25°C, 80% DOD.								
[3] Conditions apply, refer to Felicitysolar Warranty policy.								

Lithium battery pack is not same as lead-acid battery, so for the devices which you connect with the battery pack for charging or discharging, such as inverters, MPPT charger controllers or UPS, please implement pre-settings as recommended settings as below before you launched them.

Setting	FLS48100SG1
Max. Charging Voltage	57.6V
Floating charging Voltage	57.6V
Max. Charging Current	60A*N(Max=400A)
Cut-off voltage	48V

Notes: "N" means the number of battery packs connected parallel and should not exceed 8. (N≤8)

